

15 ppm - BILGE ALARM

The BilgMon 488 Bilge Alarm is type approved to the new IMO Requirements of MEPC.107(49). BilgMon 488 is a further development of a proven design successfully delivered to more than 1000 vessels. Simple operation combined with a detachable, smart measuring cell makes the BilgeMon 488 a favourite with the ship's crew. Small dimensions makes the BilgMon 488 ideal for replacement on existing bilge water separators.

TECHNICAL FEATURES

- Power supply: 220/110 VAC 50/60 Hz
- Alarm output: NO/NC
- Automatic stopping device output: NO
- Recorder output: 0-20 or 4-20 mA
- Separator status input: NC
- Output for optional fresh water flushing valve 220/110 V
- Inlet and drain valves: BSP 1/4"
- Outlet connection: BSP 1/4"
- Smart detachable measuring cell



WORLD WIDE SERVICE NETWORK

World wide network of trained Service agents
 Installation, Commissioning & Crew training
 Life Time Maintenance program
 Local spare parts stock
 24 hour service phone

BilgMon 488 Specification

Measurement:

Oil range:	0 – 30 ppm
Resolution:	0.1 ppm
Accuracy:	According to IMO MEPC.107(49)
Response time:	< 3 sec

Alarms:

Alarm 1 (valve control) delay:	0-10 sec user adjustable
Alarm 2 (annunciation) delay:	0-600 sec user adjustable
Alarm points 1 and 2:	1-15 ppm user adjustable
Alarm hysteresis:	0.5 ppm (below alarm point)

User interface:

LCD display:	2x16 alphanumeric display
Control:	4 button keypad

Input/Output:

Current output:	0 – 20 mA or 4 – 20 mA for 0 – 30 ppm
Communications:	RS232 serial communication (separate adapter)
Alarm outputs:	2 x relays (0.25A)
Clean water solenoid valve output:	1 x relay (0.5A, supply voltage)
Switch input:	1 x switch input for separator status

Data storage and retrieval:

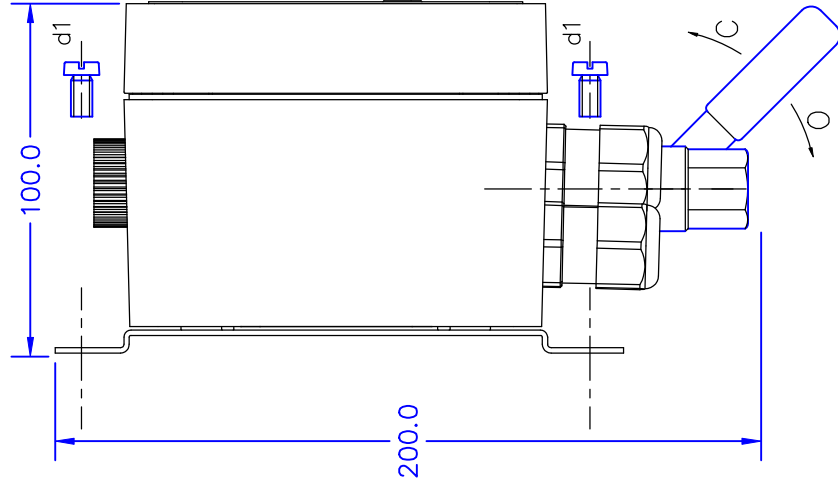
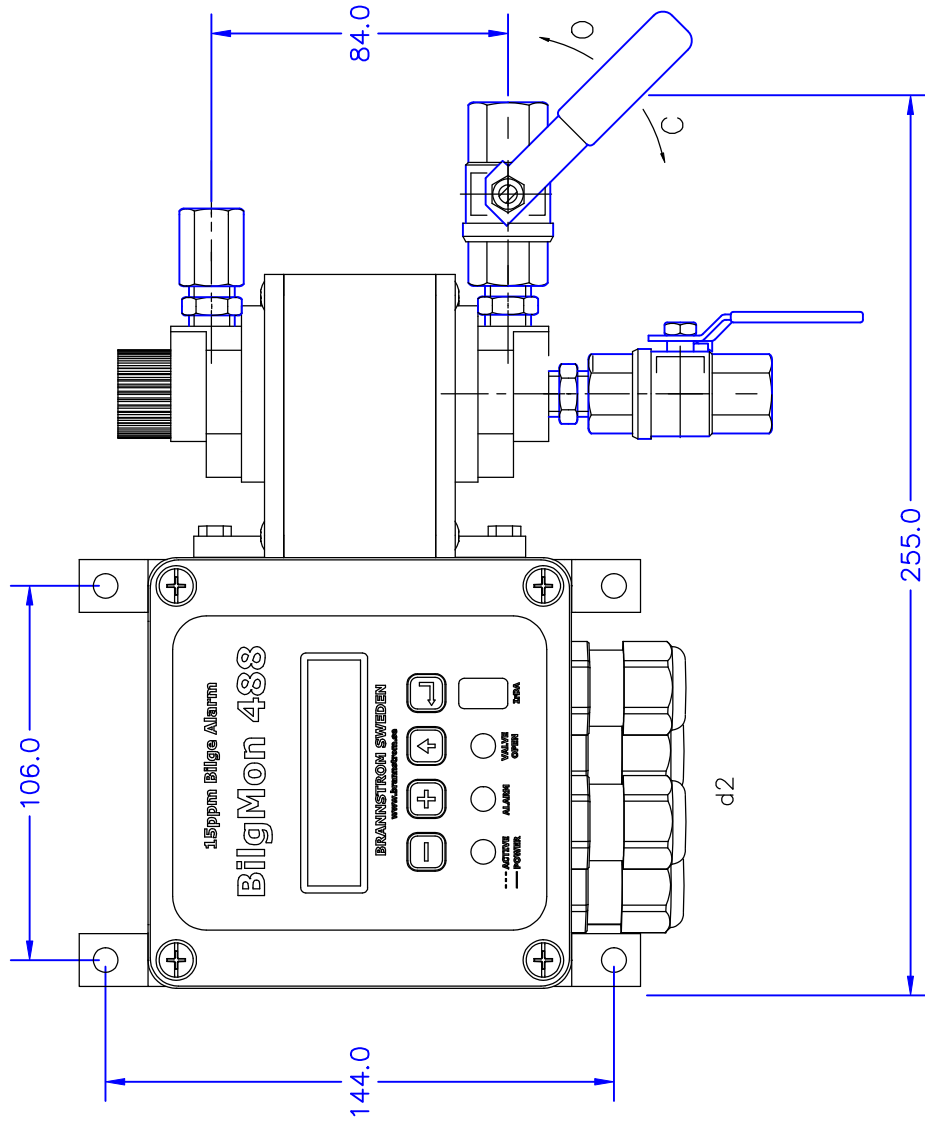
Calibration storage:	Stored in sensor housing.
IMO required data:	Stored in BilgMon488 main housing (sensor housing may be replaced with data remaining on board).
IMO required data retrieval:	Via LCD display, RS232 or removable memory.

System and supply:

Supply:	1 A, 115 or 230 V AC, 50 – 60 Hz
Power consumption:	10 VA

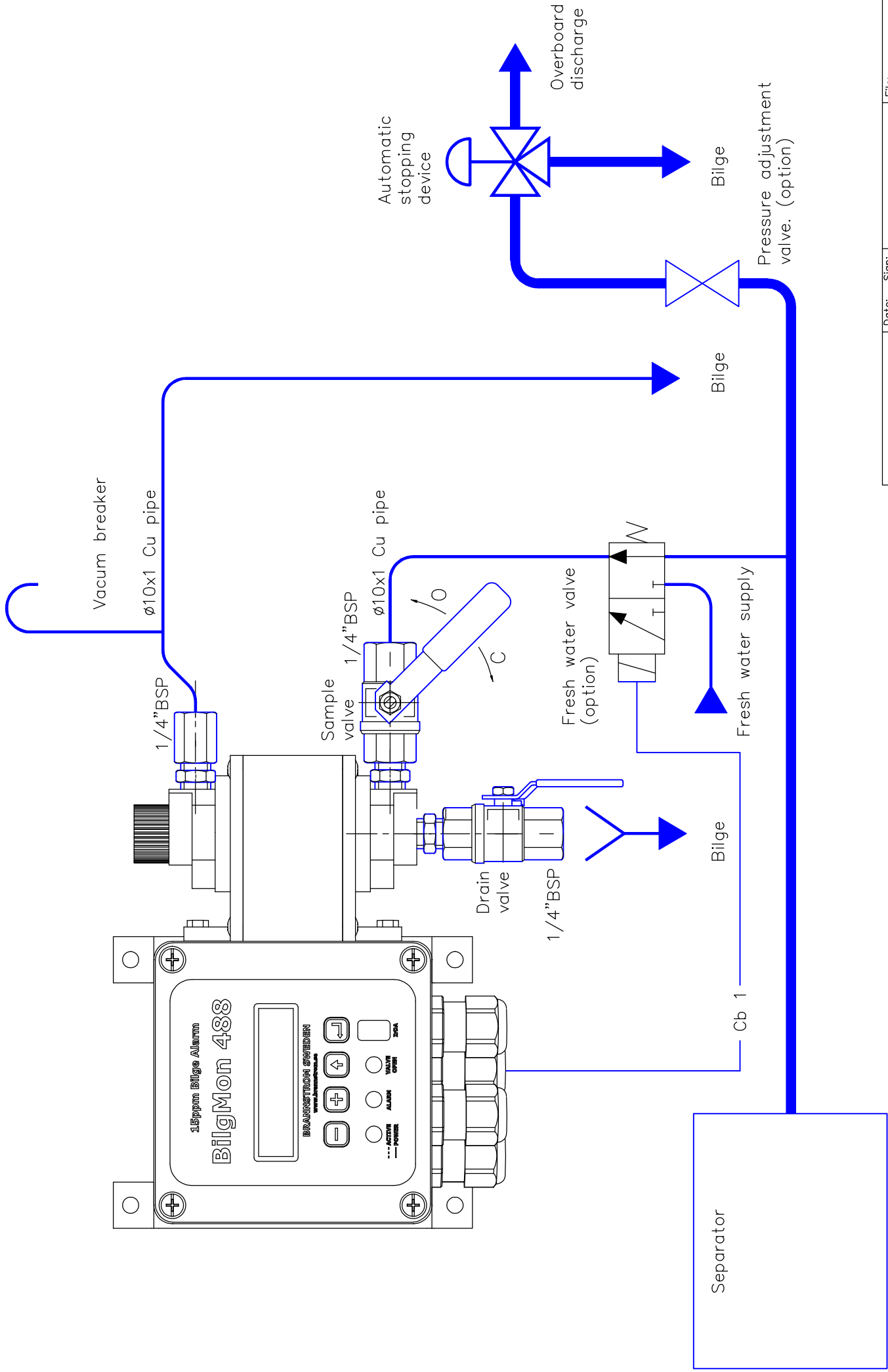
Legend

Item	Qty	Name	type	dimension	Material
d1	4	M6x10	Mounting screws.		Steel
d2	4	M20 cable glands	Opening \varnothing 7-12mm		Plastic



Copyright BRÄNNSTRÖMS ELEKTRONIK AB Uddevallegatan 14 416 70 GÖTEBORG Phone: (46) 31 195600 Fax: (46) 31 197790	Date: 041118 RB 041125 RB	File: Bilgmondim
BRÄNNSTRÖMS ELEKTRONIK AB	Page: 1 (1)	Bilgmon 488
Uddevallegatan 14 416 70 GÖTEBORG Phone: (46) 31 195600 Fax: (46) 31 197790	RNR: BM	Dimensions
	Drawing nr:	
		BM041118.1

This document is the property of
BRÄNNSTRÖMS ELEKTRONIK AB
protected in accordance with prevailing law.

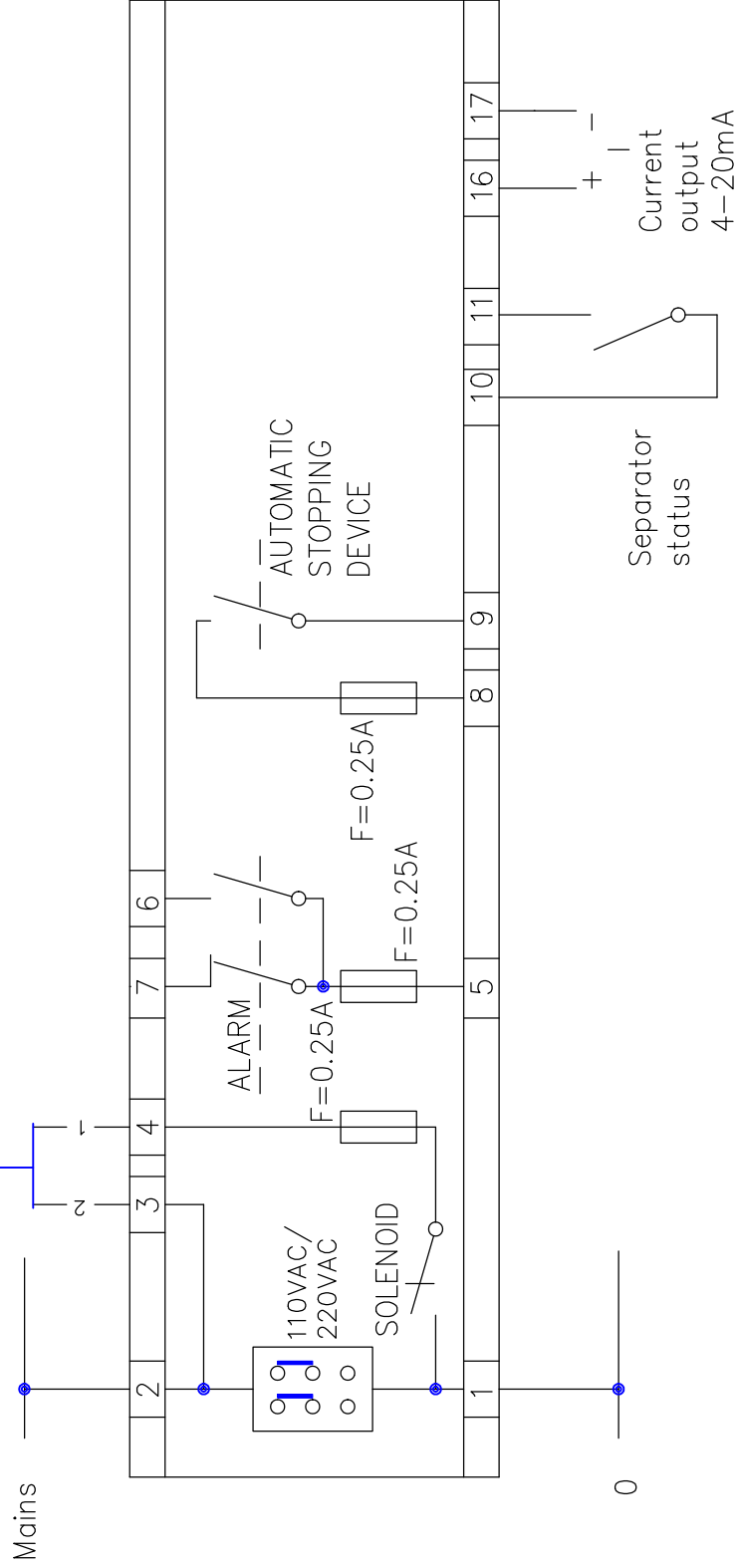
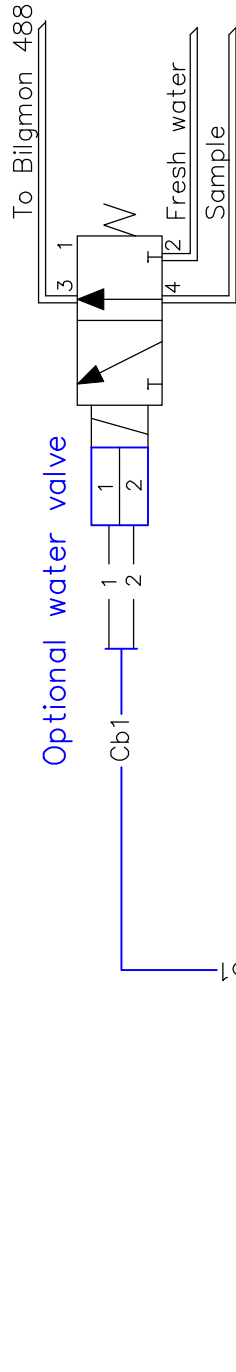


File:	Bilgmontube
Date:	050112 RB
Sign:	050124 RB
Page:	1 (1)
RNR:	BM
Drawing nr:	BM050113.1

Copyright
BRÄNNSTRÖMS
ELEKTRONIK AB
Uddevallegatan 14
416 70 GÖTEBORG
Phone: (46) 31 195600
Fax: (46) 31 197790

This document is the property of
BRÄNNSTRÖMS ELEKTRONIK AB
protected in accordance with prevailing law.

Bilgmon 488	Tube arrangements
-------------	-------------------



Optional water valve

To Bilgmon 488