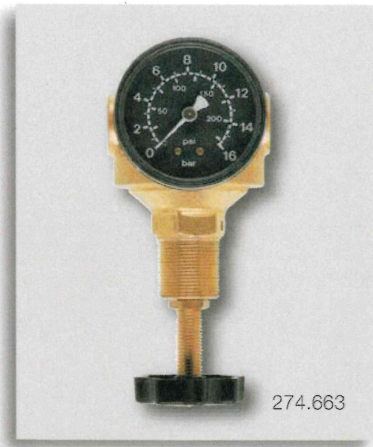


**Pressure regulators 40 bar - G 1/4 + G 1/2**



274.663

Pressure regulators regulate the system pressure ( $p_1$ ) in a compressed air system to the working pressure ( $p_2$ ) and keep this pressure, regardless of pressure fluctuations and air consumption, largely constant.

Pressure regulator (diaphragm type) with servomechanism. Port sizes G 1/4 to G 1/2. The excess pressure valve (secondary venting) allows a reduction of the secondary pressure ( $p_2$ ) (= exhaust) without air extraction. Working pressure ranges from 0,5 to 3, 6, 10, 16 and 25 bar. Adjustment by means of a locknut. Gauge can be mounted on either side. Panel or bracket mounting if desired.

**Note:** To avoid losses should be a air filter. **Also suitable for use with neutral and non-toxic gases!**

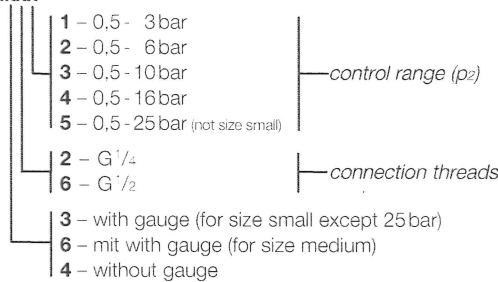
**Standard versions:**

**Control range 0,5-10bar, with gauge**

| Size   | Order No.          |         |
|--------|--------------------|---------|
|        | Connection threads |         |
| small  | G 1/4              | G 1/2   |
| medium | 286.323            | -       |
|        | -                  | 274.663 |

**Order key for all variants:**

286/274.xxx



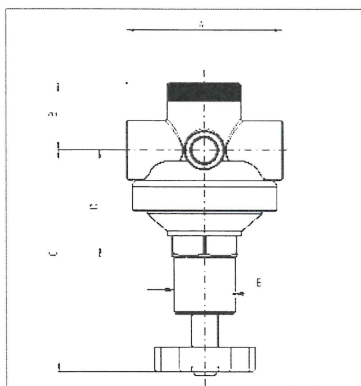
for example:

**274.663** - but **without gauge** and **0,5-16bar = 274.464**

**Spare parts and accessories**

|   | Order No.                            |                |
|---|--------------------------------------|----------------|
|   | small                                | medium         |
| <b>Bracket mounting</b> for fixing on lid               | 286-88                               | 274-48         |
| <b>Panel mounting</b>                                   | 286-89                               | 274-49         |
| Panel thread M14 x1 (size small), M22 x 1 (size medium) |                                      |                |
| <b>Gauge</b> horizontal, display range:                 |                                      |                |
| o 40 (size small)                                       | 0- 6 bar (for $p_2$ to 3 bar)        | 714 213        |
|   | 0-10 bar (for $p_2$ to 6 bar)        | 723 214        |
| o 63 (size medium)                                      | 0-16 bar (for $p_2$ to 10 bar)       | 734 215        |
|   | 0-25 bar (for $p_2$ to 16 bar)       | 745 216        |
|   | 0-40 bar (for $p_2$ to 25 bar)       | - 217          |
| <b>Seal cone</b> complete                               | 286-120                              | 274-75         |
| <b>Diaphragm</b> complete                               |                                      |                |
|   | control range (for $p_2$ ): 0- 3 bar | 286-126 274-65 |
|   | 0-10 bar                             | 286-126 274-66 |
|   | 0-25 bar                             | 286-126 274-67 |

Gauges see chapter 10, page 53 seq.

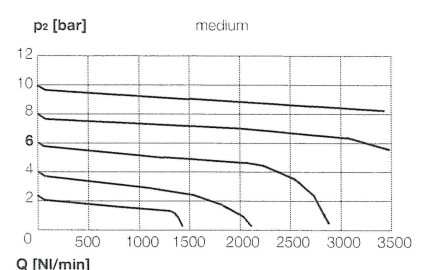
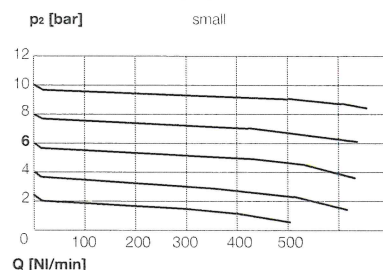


**Technical data**

|   | Size small  | Size medium                     |
|---|---|---------------------------------|
| <b>Nominal rates of flow*</b>                     | 430 NI/min  | 1250 NI/min                     |
| <b>Max. operating pressure (<math>p_1</math>)</b> | 40 bar (PN40)   | 40 bar (PN40)                   |
| <b>Operating temperature</b>                      | -10 °C up to +90 °C                                     | -10 °C up to +90 °C             |
| <b>Control range (<math>p_2</math>)</b>           | 0,5 to 3, 6, 10, 16 and 25 bar                          | 0,5 bis 3, 6, 10, 16 und 25 bar |
| <b>Mounting position</b>                          | any   | any                             |
| <b>Direction of flow</b>                          | arrow   | arrow                           |
| <b>Nominal width</b>                              | DN6   | DN12                            |
| <b>Dependence upon supply pressure</b>            | < 10%   | < 4%                            |
| <b>Reversing control hysteresis</b>               | ~ 1 bar   | ~ 1 bar                         |
| <b>Weight</b>                                     | 390g  | 1000g                           |
| <b>Material</b>                                   | - diaphragm/seals: NBR<br>- housing/spring cover: brass | NBR<br>brass                    |

\* measured at  $p_1 = 8$  bar,  $p_2 = 6$  bar and  $\Delta p = 1$  bar

**Rates of flow  $p_1 = p_2 + 2$  bar**



**Dimensions [mm]**

| Size                      | small     | medium    |
|---------------------------|-----------|-----------|
| <b>Connection threads</b> | G 1/4     | G 1/2     |
| A                         | 45        | 72        |
| B                         | 23        | 30        |
| C                         | 81        | 115       |
| D                         | 35        | 52        |
| E                         | M20 x 1,5 | M28 x 1,5 |

Fasteners and connecting elements see page 31